

Keystone Series

Rollers

Featuring the broadest portfolio in North America, AmesburyTruth introduces the Keystone series of sliding door products engineered to complement the vinyl patio door segment.

Including 6 rollers and a handle set, these products were developed to optimize entry-level sliding patio door performance and price.



Innovative design modifications to roller components in our top 3 roller series led to the development of our new single-wheel and tandem-wheel rollers.

And just like the rest of the rollers in our portfolio, these meet AAMA standards too.



PRODUCT HIGHLIGHTS

- Single wheel steel rollers with high-quality ball bearings can accommodate up to 200 lb panel weight
- Tandem roller assembly with composite wheels can accommodate up to 150 lb panel weight while providing smooth and quiet operation
- Drop-in replacement to existing series using either single or tandem rollers
- End adjustment rollers offer easy fabrication and is the industry standard for vinyl doors
- Cost-effective mild steel housing material offers corrosion protection
- Meets AAMA specifications

1936-S and 1936-C : Top Clearance Hole and End Tap Install

1936-S

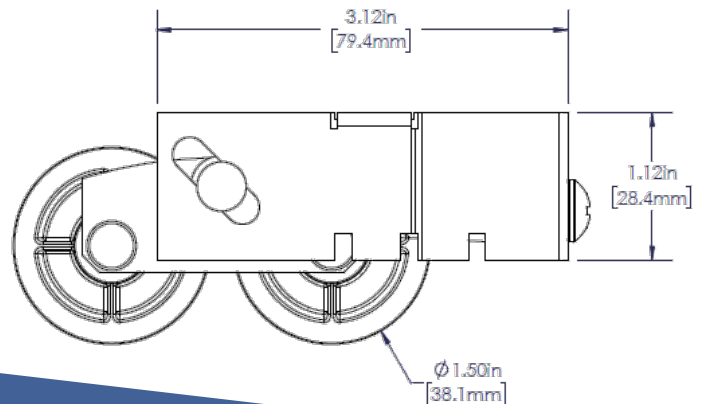
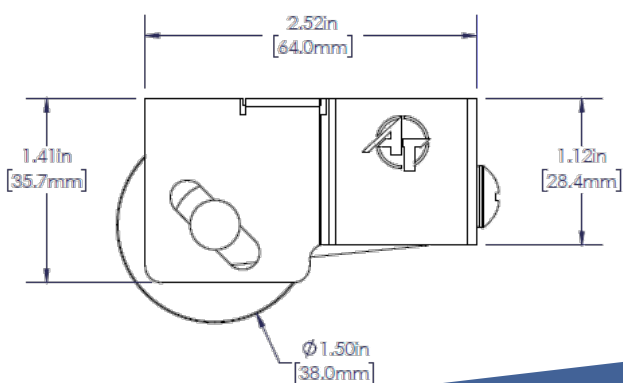
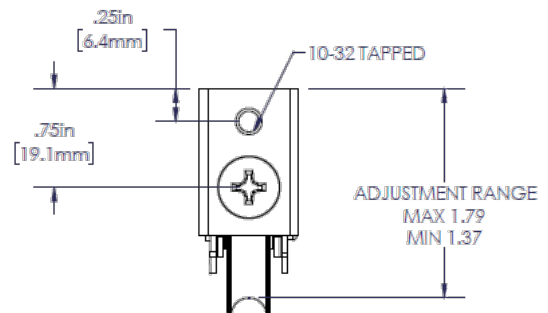
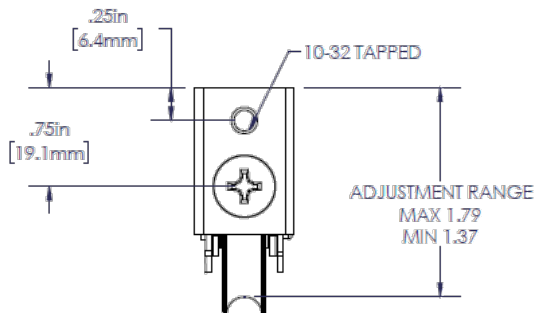


- Single steel wheel with standard grade bearings can accommodate up to 200 lb panel weight

1936-C



- Tandem composite wheel can accommodate up to 150 lb panel weight



1951-S and 1951-C : Top Tap and End Tap Install

1951-S

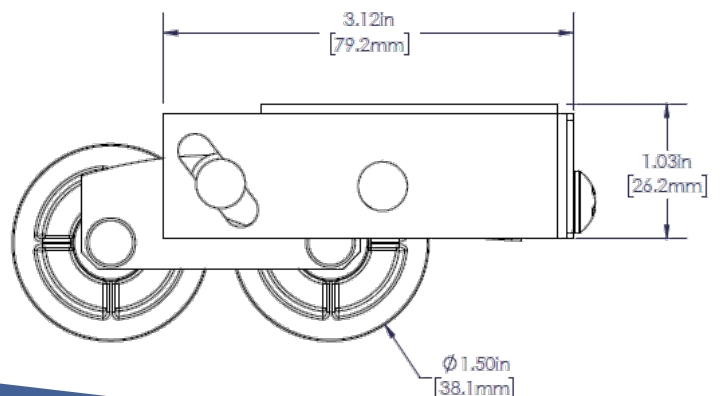
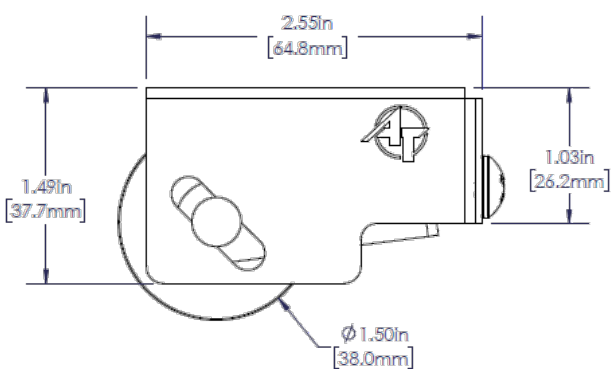
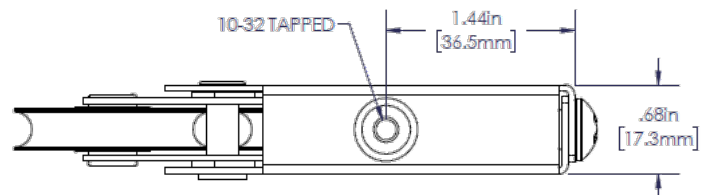
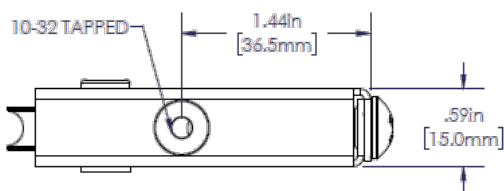
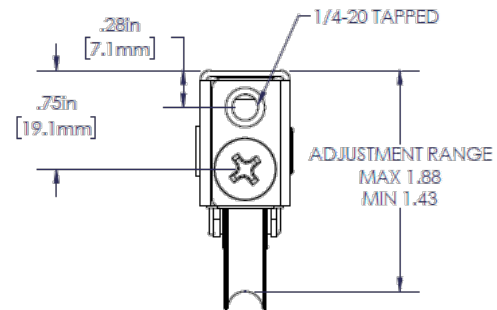
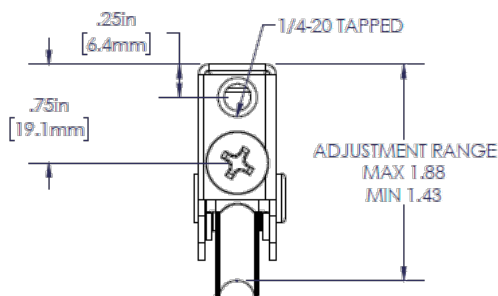


- Single steel wheel with standard grade bearings can accommodate up to 200 lb panel weight

1951-C



- Tandem composite wheel can accommodate up to 150 lb panel weight



1976-S and 1976-C : Weld Relief Slot with End Tap Install

1976-S



- Single steel wheel with standard grade bearings can accommodate up to 200 lb panel weight

1976-C



- Tandem composite wheel can accommodate up to 150 lb panel weight

